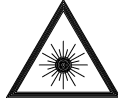
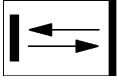


BOS 12M-PS-RD12-S4
Order code: BOS01TU

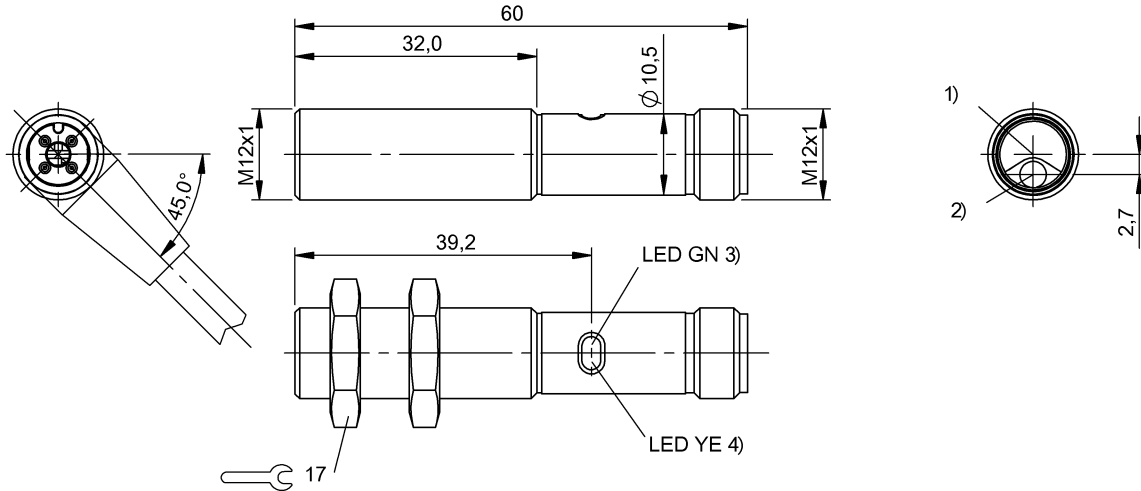
Photoelectric sensor
 Series 12M GLOBAL
 Light scanner, energetic
 Sn = 200 mm

DC, direct current
 PNP (1x)
 NO: light-on
 1,000 Hz
 LED, red light

BALLUFF
 sensors worldwide



LED-Light - DO NOT STARE INTO BEAM! Exempt group
 per IEC 62471:2006-07



1) Optical axis receiver 2) Optical axis emitter 3) Power 4) Light reception/Limit range

Basic data

Operating voltage UB DC 10.0 V... 30.0 V
 Eff. operating voltage Ue DC 24.0 V
 Ripple max. (% of Ue) 15 %
 Polarity reversal protected yes
 Rated insulation voltage Ui 75 V DC
 Indicator Power - LED GN
 Light receipt - LED YE
 Limit range - LED YE, flash.
 Adjuster No
 Ambient temperature Ta -5 °C... 55 °C

Optical data

Principle of optical operation Light scanner, energetic
 Erfassungsbereich Sd 1...200 mm
 Light type LED, red light
 Wavelength 650 nm
 LED group acc. IEC 62471 Exempt group
 Light spot size, typical 22 mm x 22 mm at 200 mm
 Beam characteristic Divergent
 Ambient light max. 10,000 Lux

Electrical data

Eff. operating distance Sr 200 mm
 Minimum operating distance 1 mm
 Switching output PNP (1x)
 Switching function NO (pin 4)
 Eff. operating current Ie 100 mA
 Switching freq. f max. (at Ue) 1,000 Hz

Turn on time ton max. 0.50 ms
 Turn off time toff max. 0.50 ms
 Voltage drop Ud max. (at Ie) 1.5 V
 Short circuit protected yes
 Load capacitance max. (at Ue) 0.20 µF

Mechanical data

Style Cylinder, straight optics
 Dimensions Ø12.0 mm x 60.0 mm
 Mounting type Nut M12x1
 Tightening torque max. 7/15 Nm
 Housing material Brass
 Surface protection Nickel-plated
 Werkstoff aktive Fläche PMMA
 Degree of protec. per IEC60529 IP67
 Connection type Connector
 Connector type M12x1-S04

Approval

Approvals / Conformity CE

Remarks

Basic standard IEC 60947-5-2
 The sensor is functional again after the overload has been eliminated.
 Reference object (target): Gray card, 200 x 200,
 90 % remission, axial approach.
 For additional information, refer to user's guide.
 Order accessories separately.

000000118829/237045/20141201

BOS 12M-PS-RD12-S4
Order code: BOS01TU

Photoelectric sensor
Series 12M GLOBAL
Light scanner, energetic
Sn = 200 mm

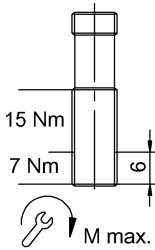
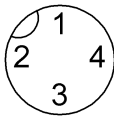
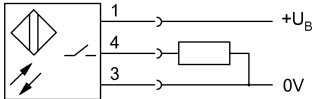
DC, direct current
PNP (1x)
NO: light-on
1,000 Hz
LED, red light

BALLUFF
sensors worldwide



Definitions see general catalog

Subject to change without notice.



000000118829/237045/20141201